

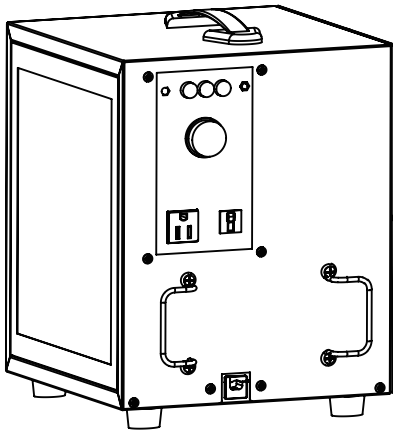


PureCare 780S

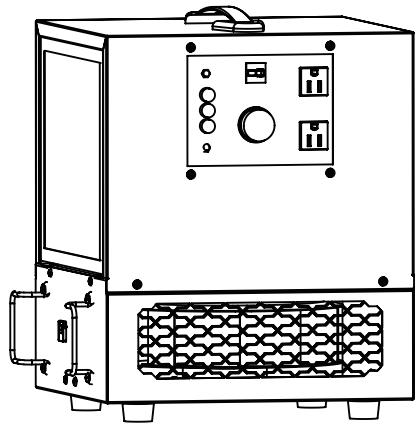
PureCare 1050/1050IG

AIR FILTRATION SYSTEM

Installation and User Manual



(PureCare 780S)



(PureCare 1050/1050IG)

READ AND SAVE THESE INSTRUCTIONS

AlorAir Solutions INC.
Add: 14752 Yorba Ct, Chino, CA 91710 US
Tel: (888) 990-7469
Email: sales@alorair.com

TABLE OF CONTENTS

GUIDELINES	1
WARRANTY REGISTRATION	1
OPERATING PRINCIPLES	1
INSTALLATION REQUIREMENTS	2
MAINTENANCE	2
WIRING DIAGRAM	2
BUTTON FUNCTIONS	3
LIMITED WARRANTY	4
WARRANTY EXCLUSIONS	4

GUIDELINES

1. Always connect the dust collector to a grounded power source. Failure to use a grounded outlet will void the warranty.
2. Repairs should only be carried out by qualified technicians.
3. If there is a risk of water flooding the dust collector, ensure it is thoroughly dried before reconnecting to the power source and restarting.
4. Do not insert objects or fingers into the air inlet or outlet.
5. Do not clean the exterior of the dust collector with water. Disconnect the power source and use a damp cloth to wipe the exterior.
6. Please do not stand on the unit or place objects on it.
7. Do not connect appliances exceeding 6A to the machine's outlet.
8. Unless otherwise stated, all maintenance should be performed when the machine is powered off.

WARRANTY REGISTRATION

Protect your unit with an extensive warranty. To ensure a smooth experience with any future service or assistance, please record the following details: model number, serial number, and purchase date of your dust collector. The data label can be found on the side of the unit.

Model: PureCare 780S
 PureCare 1050
 PureCare 1050IG

Serial Number: _____ Purchase Date: _____

For further inquiries about your dust collector, you can:

1. Contact your installation contractor.
2. Email: sales@alorair.com.

OPERATING PRINCIPLES

The dust collector functions by utilizing a fan to draw in polluted air, which then passes through a high-efficiency filter that removes dust particles. Clean air is then released back into the environment. For optimal performance, the dust collector should be operated continuously in dust-heavy environments or set to run for specific durations, automatically stopping after the set time.

INSTALLATION REQUIREMENTS

▲ **WARNING:** To achieve the best performance from your dust collector, follow these installation guidelines:

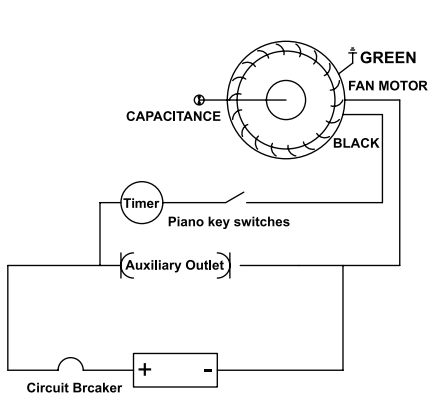
- Position the dust collector in a relatively enclosed, dust-polluted area. This setting maximizes its ability to capture airborne particles.
- Ensure that neither the air inlet nor the outlet is placed against a wall. Maintain a 6-inch minimum clearance around both for unobstructed airflow and efficient dust collection.
- For optimal dust collection, place the machine in the area where dust is generated most frequently, ensuring the dust is captured at the source.
- The dust collector is designed for upright operation and should always be level. It can be placed on the floor, a desk, or a countertop, depending on your workspace needs.

MAINTENANCE

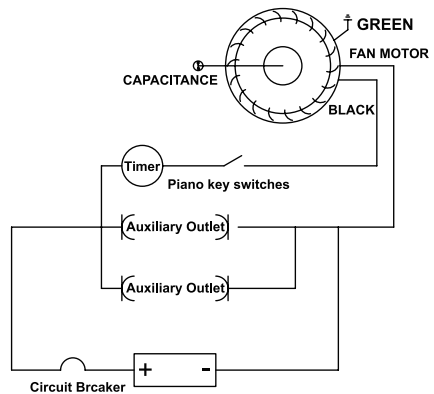
▲ **WARNING:** Always unplug the power before performing any maintenance.

- **Cleaning the Machine Body:** Use a soft, damp cloth to clean the exterior. Do not use cleaning agents.
- **Replacing the Filter:** Remove the filter from the air inlet grilles on both sides of the machine. Install a new filter following the old one's positioning.

WIRING DIAGRAM



PureCare 780S

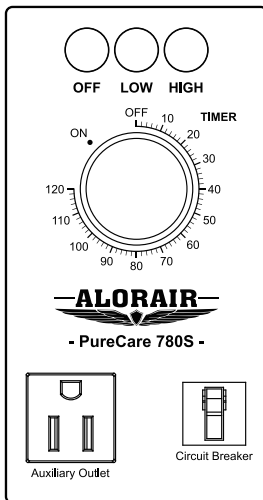


PureCare 1050/1050IG

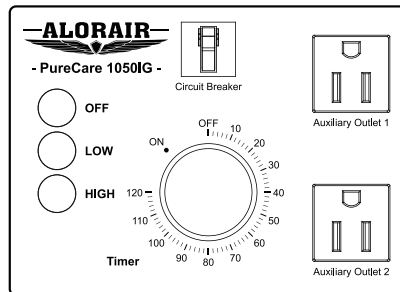
BUTTON FUNCTIONS

Once the power cord is connected, your dust collector is ready for use, regardless of button or timer settings. The unit can also serve as an extended power outlet for appliances up to 8A. To activate dust collection, press the button switches and set the desired operating time using the timer knob, which can be adjusted from 0 to 120 minutes or set for continuous operation. The dust collector will automatically start working according to the selected mode and time. To adjust the operating time, rotate the knob to the new setting or "OFF," which will produce a strong beep to indicate that the machine has stopped.

The timer can be set from 0 to 120 minutes or for continuous operation. Once the mode and time are set, the dust collector will begin working. If the timer knob is turned beyond your selected time, the machine will continue running until the set time expires or you manually turn it off.



PureCare 780S



PureCare 1050/1050IG

1. **"OFF" Button:** Press to reset the dust collector to zero and turn off the machine.
2. **"LOW" Button:** Press to set the dust collector to low mode.
Note: In high mode, pressing low will switch to zero mode.
3. **"HIGH" Button:** Press to set the dust collector to high mode.
Note: In low mode, pressing high will switch to zero mode.
4. **"TIMER" Knob:** Rotate to set the operating time, after which the machine will shut off.

LIMITED WARRANTY

This limited warranty is effective from the date of purchase. AlorAir Solutions Inc. guarantees to the original purchaser that the AlorAir product will be free from defects in materials or workmanship under normal use and service for the following limited warranty periods:

- **Six months:** Parts and labor, including shipping costs for replacement parts.
- **One year:** Parts and labor, excluding shipping costs for returning the defective product for repair or replacement.

This limited warranty only applies to products purchased from the manufacturer or an authorized AlorAir seller and operated, installed, and maintained according to the instructions included in this user guide or provided with the product. AlorAir Solutions Inc. does not provide on-site services during or after the warranty period. The purchaser is responsible for shipping costs to the manufacturer for repairs. To obtain warranty service, contact AlorAir at [888-990-7469](tel:888-990-7469) or sales@alorair.com. Proof of purchase or order number is required for warranty service. Repairs or replacements during the applicable warranty period are at the sole discretion of AlorAir.

WARRANTY EXCLUSIONS

This limited warranty covers defects in materials and workmanship under normal residential, commercial, or non-commercial use but does not include:

- Damage from improper use.
- Damage from unauthorized modifications or alterations.
- Cosmetic damage, including scratches, dents, and other surface damage.
- Damage caused by abuse, misuse, infestation, accidents, fire, flood, or other acts of nature.
- Damage from incorrect electrical current, voltage, fluctuations, and surges.
- Damage from improper maintenance.
- Use of the product in a spa or room with an outdoor pool will void this limited warranty.



WARRANTY REGISTRATION CARD

Return To:
AlorAir Solutions

ORDER NUMBER: _____

MODEL: _____ **SERIAL #:** _____

INSTALLER: _____ **INSTALLATION DATE:** _____

NAME: _____

ADDRESS: _____

CITY: _____ **STATE:** _____ **ZIP:** _____

PHONE #: _____ **EMAIL:** _____



- ▶ If you have any questions, please feel free to contact us at 888-990-7469 or visit www.alorair.com
- ▶ Register your unit for warranty using this link: www.alorair.com/page/Warranty--Warranty-registration
- ▶ Warranty Registration <https://www.alorair.com> or scan this [barcode](#) to direct you to the warranty registration website.



AlorAir Solutions INC.
Add: 14752 Yorba Ct, Chino, CA 91710 US
Tel: (888) 990-7469
Email: sales@alorair.com